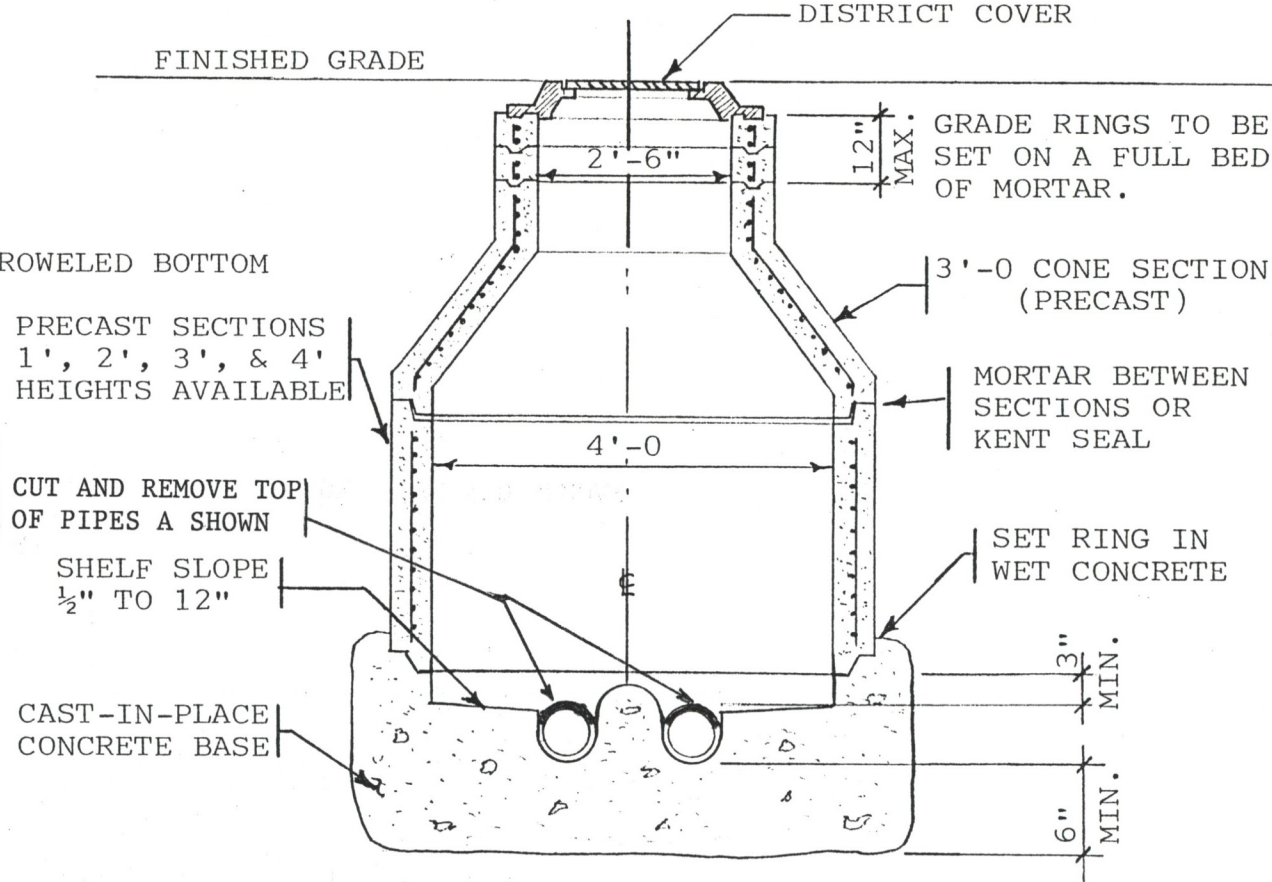


PLAN  
N.T.S.



ELEVATION  
N.T.S.

NOTE:

1. NO LEAKAGE ALLOWED
2. USE GLUE TYPE FITTINGS IN MANHOLE.
3. CAST IRON RISER RINGS WITH (4) 3/8" SET SCREWS MAY BE USED IN ASPHALT ONLY
4. NO LOW PROFILE BASE RINGS ARE ALLOWED.

<b>SAMPLING MANHOLE</b>
SALT LAKE CITY SUBURBAN SANITARY DISTRICT NO. 1
Jan. 1986